

LUFTOMET

— czech design —

Sky

Description:

LUFTOMET Sky is a diffuser which can be used for supply and exhaust air. SKY is especially designed for small air flow typical for residential ventilation systems with heat recovery. SKY can be installed only in ceilings.

Design: All types of the LUFTOMET Sky have a modern design. Depending on your choice the SKY is made by GLASS, 3D GLASS, CONCRETE, WOOD AND PLASTIC. All versions have the same functionality. Design plates are fitted by Magnetic Force System therefore can be easily changed for each other.

Materials:

GLASS- tempered glass, stable over time

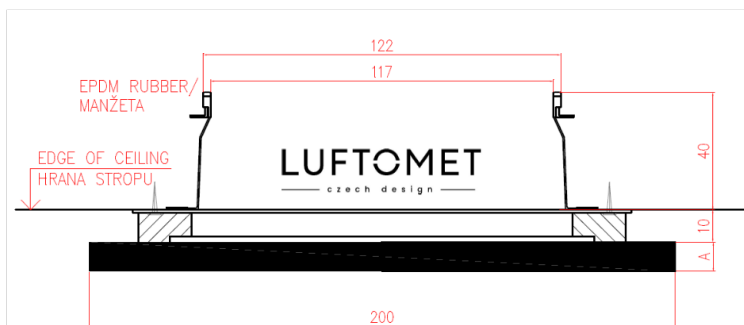
3D GLASS - an ornament pressed into the surface, upper side is smooth, safety glass

CONCRETE- high-strength, polymer-modified, fiber-reinforced, colored with mineral pigments, each piece is an original, the possibility of color changes over time

WOOD- beech, carefully dried, painted with natural oils, each piece is an original, the possibility of color changes over time

PLASTIC- quality branded cast plexiglass, UV resistant, color fastness guarantee

Dimensions:



A:

WOOD: 20 mm

GLASS: 4 mm

GLASS 3D: 2 to 4 mm

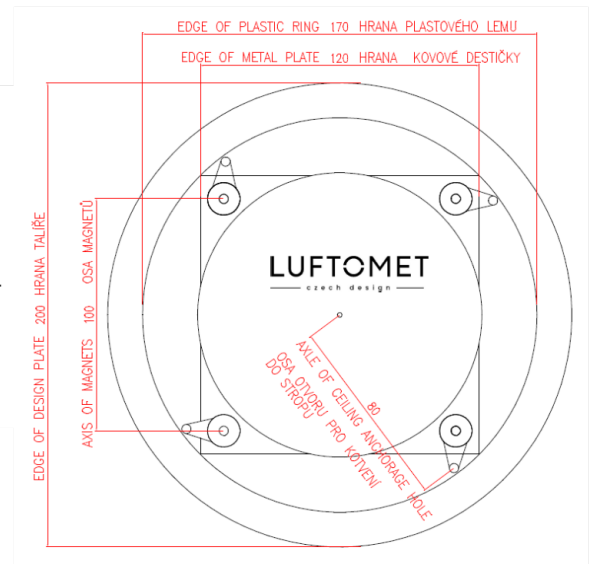
CONCRETE: 6 to 10 mm (+2 mm)

PLASTIC: 5 mm

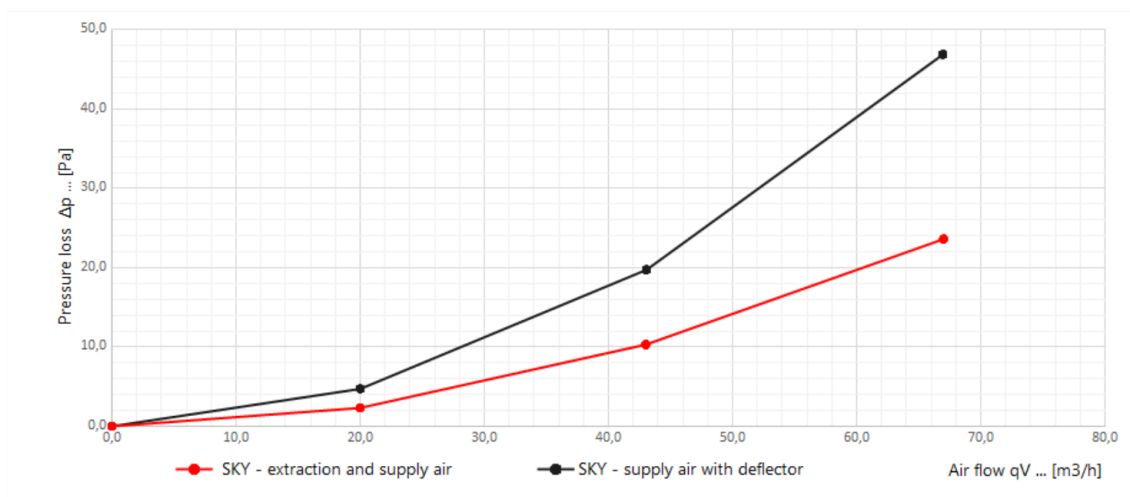
Design plate:

CIRCULAR: Diameter 200 mm

SQUARE: 200x200 mm



Pressure loss:



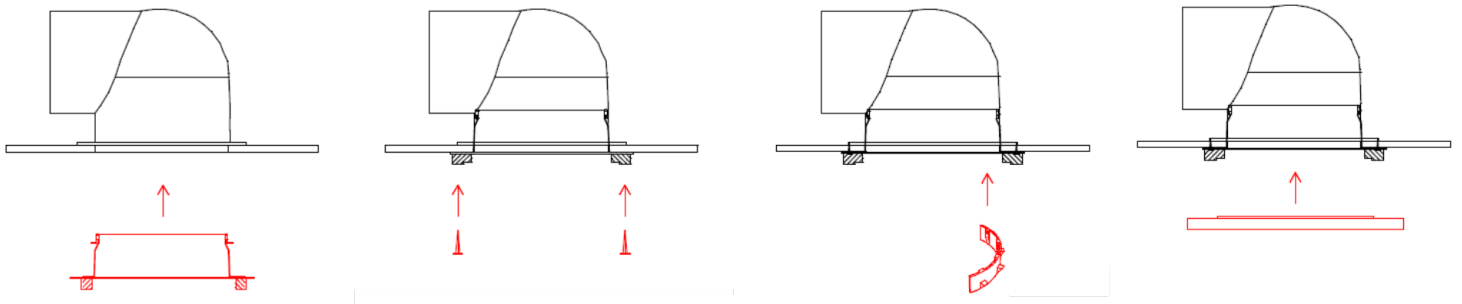
* Measured on the sample of GLASS- CIRCULAR

Technical data:

MATERIAL	q_v	Δp	Hz								
	m ³ /h	Pa	63	125	250	500	1000	2000	4000	8000	Lw (dB(A))
GLASS	10	1	28,4	12,7	8,2	3,8	-2,3	-11,2	-2,0	3,7	8,2
GLASS	20	2	31,1	20,0	11,0	4,9	-3,7	1,9	-1,5	-2,0	10,2
GLASS	43	10	31,4	28,0	22,9	18,1	4,7	1,7	-3,8	-3,7	19,0
GLASS	67	24	31,1	31,5	31,3	25,4	15,0	8,0	-1,0	-1,1	26,2
WOOD	67	24	29,6	29,8	30,5	22,0	7,8	7,7	-0,1	-0,4	24,5

MEASURED ACCORDING TO THE ČSN EN ISO 5135

Installation instructions:



General information:

The product is designed for a basic indoor, clean and dry environment without chemicals, there must be no other large source of magnetism in the area. The recommended ambient temperature is in the range of 10-40 ° C, relative humidity 20-80%, supply air temperature 10 ° C to +40° C.

Maintenance:

Store at the temperature between 10 - 40 ° C, relative humidity 20-80,% without direct sunlight. In the case of storage in non-original boxes, it is necessary to line the individual plates, preferably with a cork. Otherwise there is a risk of scratches.

Clean the design plate with a slightly damp, chemical-free cloth

Regularly check the strength of the magnets. If you have any doubts about the functionality of the attachment, disassemble the plate and send it to us for inspection.

Package contains:

1) metal mounting frame with EPDM seal (in pipe) ended by plastic ring (visible).The mounting ring is suitable for all types of ceiling boxes and ducts with the diameter of 125 mm. The visible part of the connector is made of plastic (PETG). The ring is equipped with four neodymium magnets, each with a load capacity of 4 kg (4x4 kg=16 kg).The extended visible ring is anchored to the ceiling through four holes.

2) design plate - depends on the material and shape choice. The plate is fitted on the non-visible side with a magnetic stainless steel counter part.

3) four screws

4) manual

Ordering codes:

LS - AA - BB - CC

LS- LUFTOMET SKY

AA - material - G- glass, 3G- 3D glass, C-concrete W-wood

BB - shape - Q- square, C- circular

CC - colour or other description

Accessories:

Air volume controller



LP-R-125

Deflector - magnetic



LP-D-125

Filtr kit - magnetic



LP-F-125

Spare parts:

