

**DELIVERY SINGLE PACK SKY SP-LS-... INCLUDES:**

- mounting frame Sky (LR-S-XXX)
- design plate Sky (LS-XX-XX-XX)
- 4x screw for anchoring (countersunk head 3.5x30)
- 4x hammering dowels DuoPower (suitable for plasterboard and other materials)
- manual

MOUNTING FRAME SKY:

LR-S-100-X for ducts 100 with an inner diameter 97-103 mm
 LR-S-125-X for ducts 125 with an inner diameter 122-128 mm
 LR-S-160-X for ducts 160 with an inner diameter 157-163 mm
 Mounting frame is made by ABS and PETG. The sealing rubber is made of EPDM.
 The ring contains 4 neodymium magnets.

(the safety data sheet for magnets can be found at <https://luftomet.com/download-1/>)
 Regularly check the strength of the magnets. If you have any doubts about the functionality of the attachment, disassemble the plate and send it to us for inspection.

DESIGN PLATE SKY:

The product is designed for a basic indoor, clean and dry environment without chemicals, there must be no other large source of magnetism in the area. The recommended ambient temperature is in the range of 10-40 °C, relative humidity 20-80%, supply air temperature 10 °C to +40 °C.

Clean the design plate with a slightly damp, chemical-free cloth.

Store at a temperature of 10 - 40 °C, relative humidity 20-80% without direct sunlight. In the case of storage in non-original boxes, it is necessary to line the individual plates, preferably with a cork. Otherwise there is a risk of scratches.

LS-G-XX-XX GLASS + LS-3G-XX-XX 3D GLASS + LS-P-XX-XX PLASTIC:
 Protect from scratches. Handle the plate with textile gloves, wipe with an antistatic cloth.

LS-W-XX-XX WOOD:

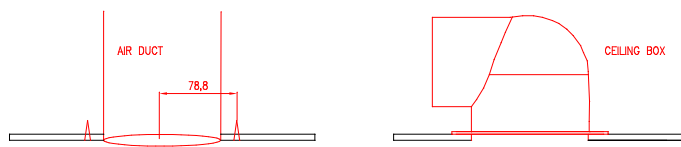
Each piece is original and differs in drawing, shape, cracks and annealing, so it may not completely match the depicted pattern. The wood is carefully dried. The appearance of additional cracks and changes in the drawing depends on the environment. Sunlight can cause a change in hue. If used in a humid environment, use a suitable non-defective coating and restore it according to the manufacturer's instructions.

LS-C-XX-XX CONCRETE:

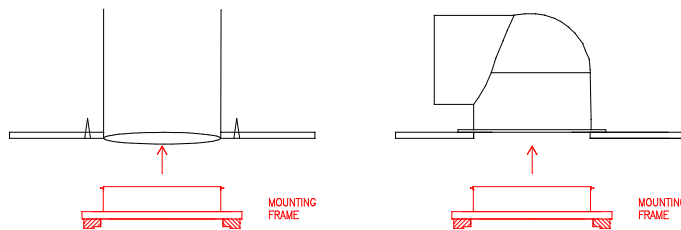
Each piece is original, so it may not completely match the depicted pattern. Sunlight can cause a change in hue. If used in a humid environment, use a suitable non-defective coating and restore it according to the manufacturer's instructions. LUFTOMET made of concrete is not intended for vertical mounting (on the wall), consult this installation with us. Avoid contact with grease when handling. Use clean textile gloves.

INSTALLATION PROCEDURE:

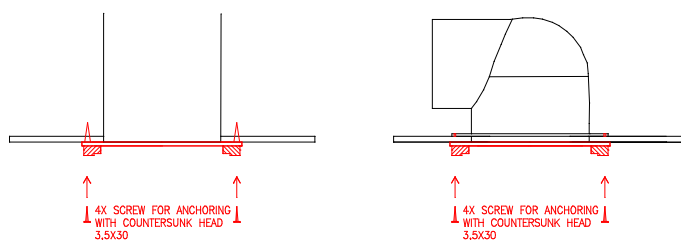
- LUFTOMET SKY IS INSTALLED IN A PREPARED AIR DUCT OR CEILING BOX (100/125/160 MM). CAREFULLY CUT THE HOLE FOR THE AIR DUCT. INSERT DUCT/BOX, TERMINATE DUCT AT CEILING LEVEL. IF NECESSARY, PREPARE DOGS (ANCHOR AXIS 78.8MM FROM THE CENTER OF THE HOLE).



- INSERT THE MOUNTING FRAME INTO THE PREPARED PIPE/BOX. SUFFICIENT SEALING IS GUARANTEED BY EPDM SEALING RUBBER.

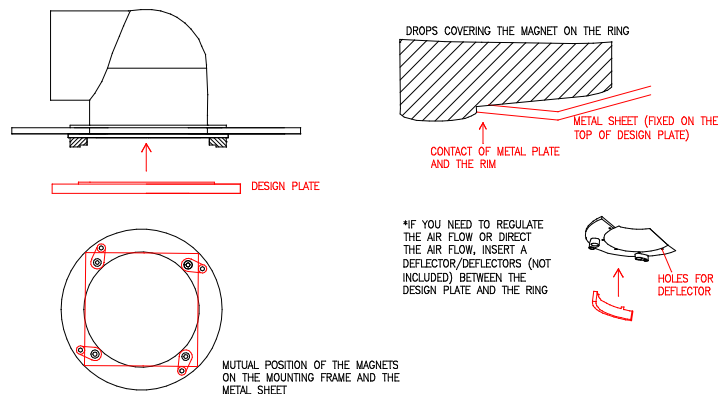


- THE MOUNTING FRAME IS FIXED TO THE CEILING OR FLANGE OF THE BOX USING FOUR SCREWS THROUGH THE HOLES IN DROPS

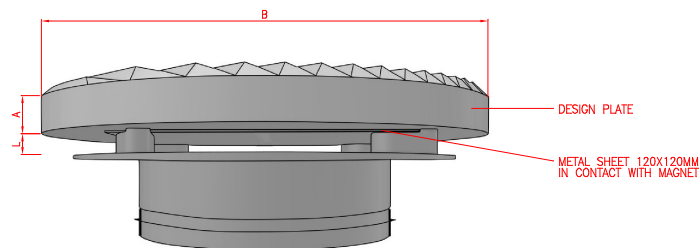
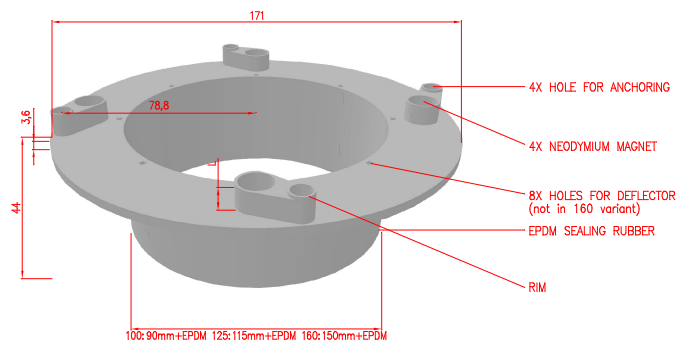
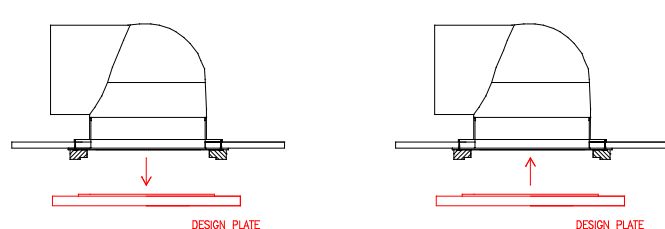


- THE DESIGN PLATE IS ATTACHED TO THE VIEWING PART OF THE RING SO THAT THE METAL SHEET ON THE TOP OF THE PLATE IS PRESSED AGAINST ALL FOUR NEODYMIUM MAGNETS. CORRECT FITTING CAN BE CHECKED BY ROTATING THE PLATE. THE CORRECT POSITION OF THE DESIGN PLATE IS KNOWN:

- 1) BY HEARING A DOUBLE CLICK
- 2) BY VISUAL INSPECTION- THERE IS A RAISED RIM ON THE PLASTIC DROPS COVERING THE MAGNET THAT COVERS THE HOLE FOR THE ANCHOR SCREWS. THIS RAISED PART HAS TO BE OUTSIDE THE METAL PLATE.



- WHEN SERVICING THE DUCT SYSTEM, CLEANING OR REPLACING THE DESIGN PLATE, HANDLE JUST THE DESIGN PART ONLY.



A:	B:
LS-G-XX-XX GLASS: 5 mm	LS-XX-C-XX CIRCLE: D=200 mm
LS-3G-XX-XX 3D GLASS: 3-5 mm	LS-XX-Q-XX SQUARE: 200x200 mm
LS-P-XX-XX PLASTIC: 5 mm	L:
LS-W-XX-XX WOOD: 15-20 mm	LR-S-100-X L=12 mm
LS-C-XX-XX CONCRETE: 3-10 mm (+-2 mm)	LR-S-125-X L=12 mm
	LR-S-160-X L=12 mm